

ACON *FIT*

USER MANUAL | ASSEMBLY INSTRUCTIONS

HANDLEBAR

for ACON FIT Trampoline

SCAN
THE
CODE!
! ->



ACON FIT MANUALS & MORE

More material like other language versions of this manual can be download by scanning the QR-code below or straight from: www.acon-manuals.com/fitness-product-manuals

ACON FIT OHJEET & MUUTA

Lisämateriaalit ja muut kieliversiot tästä manuaalista saat skannaamalla oheisen QR-koodin tai menemällä osoitteeseen: www.acon-manuals.com/fitness-product-manuals,

ACON FIT MANUALER & ANNAT

För ytterligare material och andra språkversioner av denna manual, skanna den bifogade QR-koden eller gå till: www.acon-manuals.com/fitness-product-manuals

**SCAN
THE
CODE!**
! ->





WARNING: Chocking hazard. Small parts. Not for children under 3 years or any individuals who have a tendency to place inedible objects in their mouth.



CAUTION: This User Manual is specific for ACON FIT Handlebar only. Make sure that you are also familiar with ALL of the information that are included in the User Manuals of the trampoline and all the others accessories you are using with the product.



CAUTION: Avoid Injury. Exercise handlebar (when attached to the trampoline) is not designed to support your entire weight. It is to aid with balance and provide exercise versatility.

WARNING:

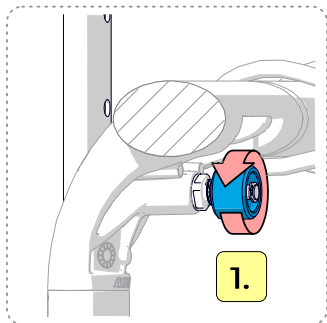
- It is the responsibility of the purchaser to become familiar with ALL of the information in this booklet, to convey the warnings to all users.
- This product is not recommended for use by children under five years of age.
- Always check with your doctor before starting any exercise program.
- Do not hang, lean, pull or push on the handlebar.
- Always de-attach the handlebar before moving the trampoline.
- Do not pull, push or lift fitness trampoline from handle bar.
- Do not use this product with any other products than ACON FIT Trampolines

The following pages contain diagrams, pictures, and written instructions for assembling your Product. Familiarize yourself with the Assembly and Installation Instructions before beginning installation.

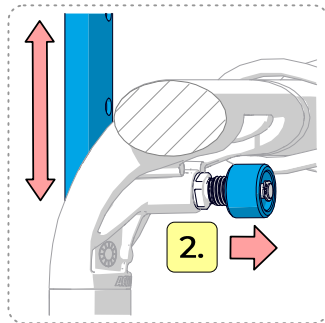


CAUTION: This product is equipped with double-secured adjuster part to prevent any unintentional use. Make sure that you have full understanding how it works before proceeding to use the product. Make sure that the adjuster is always locked properly as instructed.

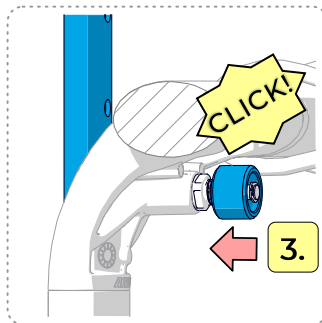
HANDLEBAR HEIGHT ADJUST *(installing the adjuster will be instructed during the assembly steps):*



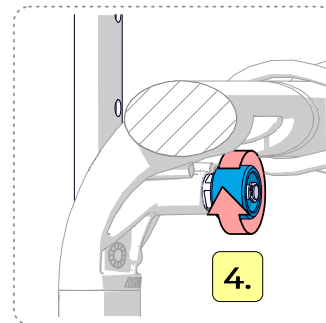
Unlock the adjuster by rotating the knob counterclockwise



Pull the knob towards the center of the trampoline. Adjust the handlebar at desired height.



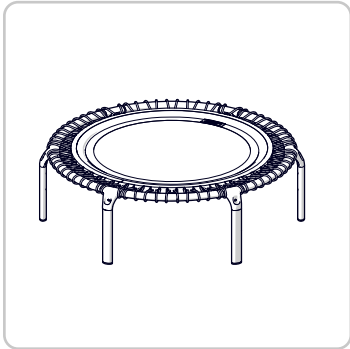
Release the knob. Make sure that the handlebar are secured by trying to rise and lower it (hear the click).



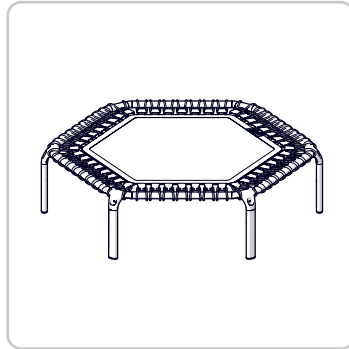
Lock the adjuster by tightening it (rotate the knob clockwise).

COMPATIBILITY

This product is an accessory that fits the following ACON FIT trampolines:



*ACON FIT Trampoline
ROUND 44*



*ACON FIT Trampoline
HEXAGON*

SYMBOL KEY



= Assembly Step



= e.g. Assembly Sequence



= Part ID



White=Part (s) already assembled

x6

= Quantity



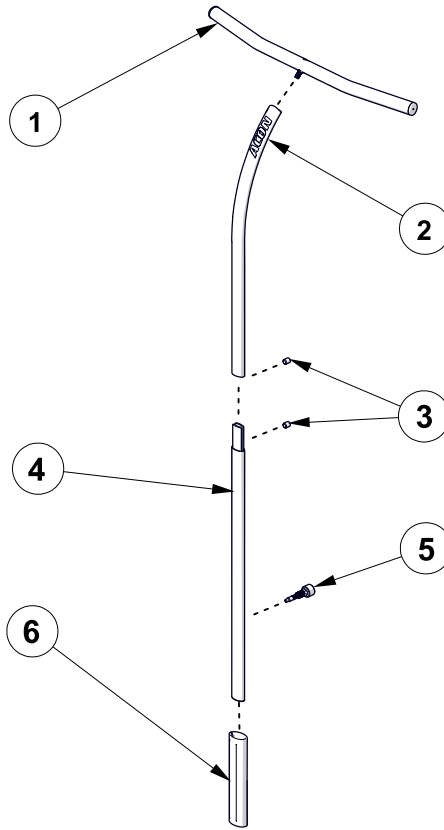
Blue = Part (s) to be assembled/
handled

PRIOR TO ASSEMBLING

Make sure that you have all parts listed. If you are missing any parts, please contact us for instructions on how to attain any parts.



To prevent any injuries to your hands from pinch points during assembly, **please use gloves to protect your hands.**

HANDLEBAR PARTS



- ① Handle tube
- ② Upper tube
- ③ Screw x2 (*pre-installed*)
- ④ Lower tube
- ⑤ Adjuster
- ⑥ Support

TOOLS

- ⑦ Allen Key 
- ⑧ Spanner 

THE STEPS IN THIS MANUAL



1-2

Preparing the trampoline

Parts needed:



3-4

Assembling the handlebar

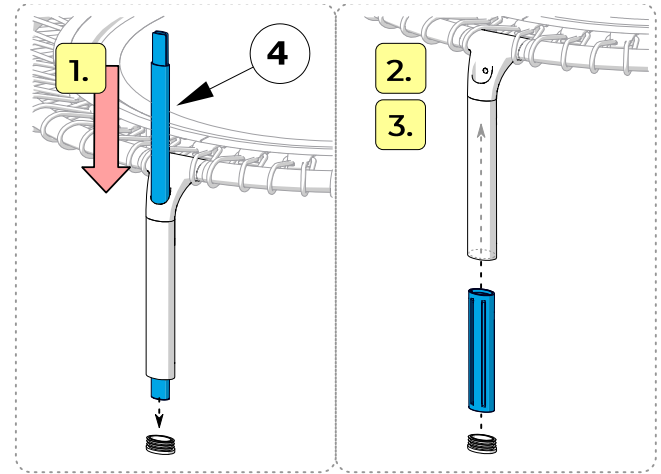
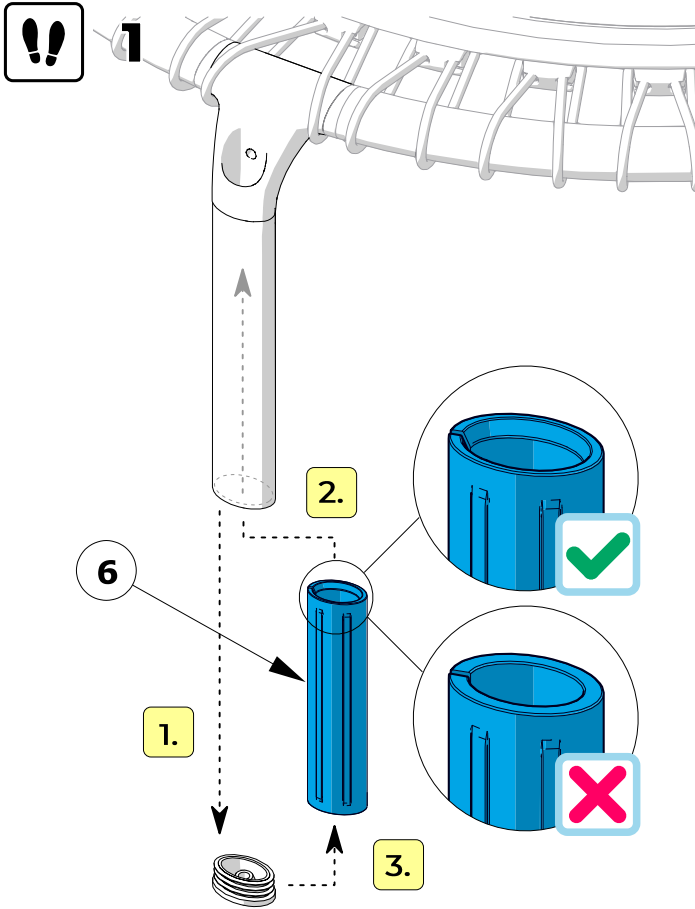
Parts needed:



5

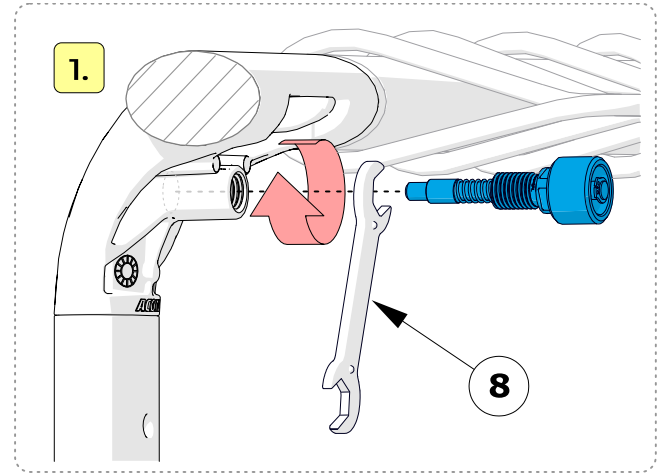
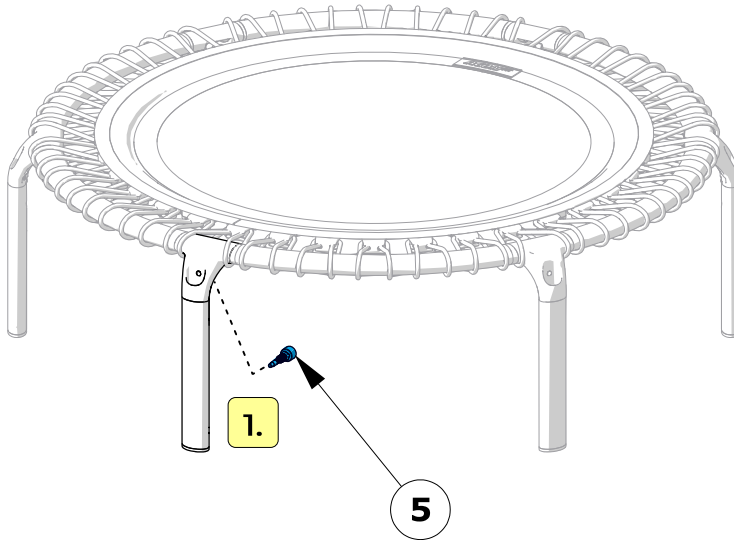
Attaching and adjusting the handlebar

Assembly instructions



1. Choose the leg of the trampoline on which you want to install the handlebar. Remove the bottom plug of the leg. Use part #4 as a tool, if necessary.
2. Insert the support (part #6) into the leg. Note the direction of the part.
3. Install the bottom plug back into the leg.

!! **2**

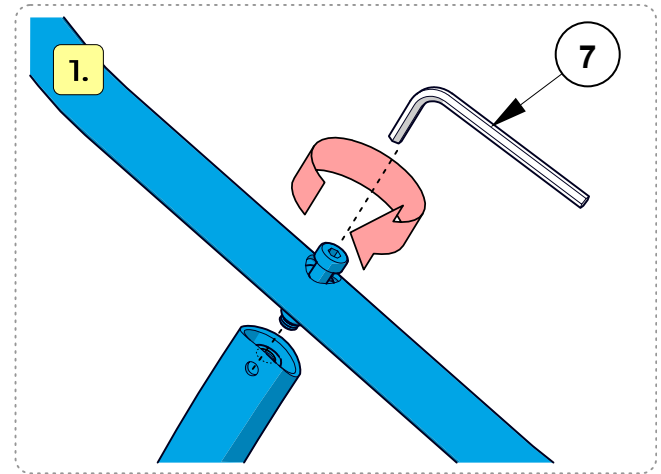
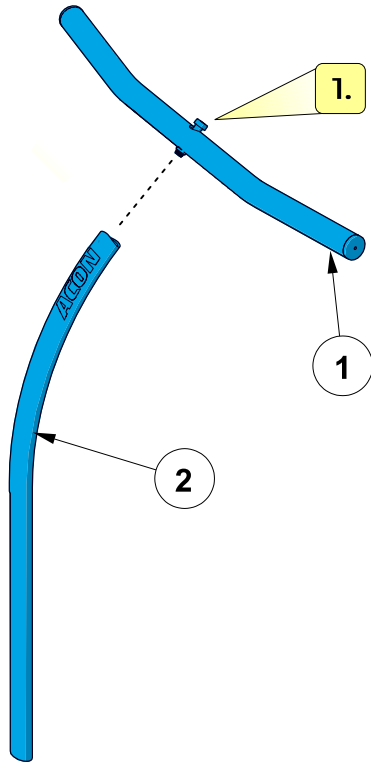


- 1.** Install adjuster (part #5) to the same leg you chosen in the previous step. Secure it into the hole in the back of the leg.

Tighten the adjuster properly with spanner (part #8).

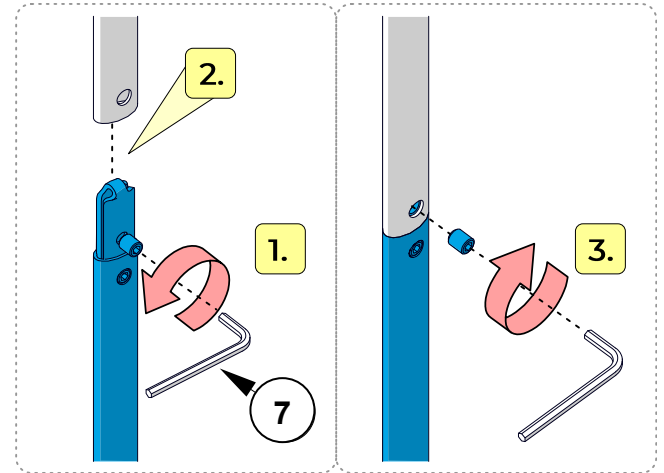
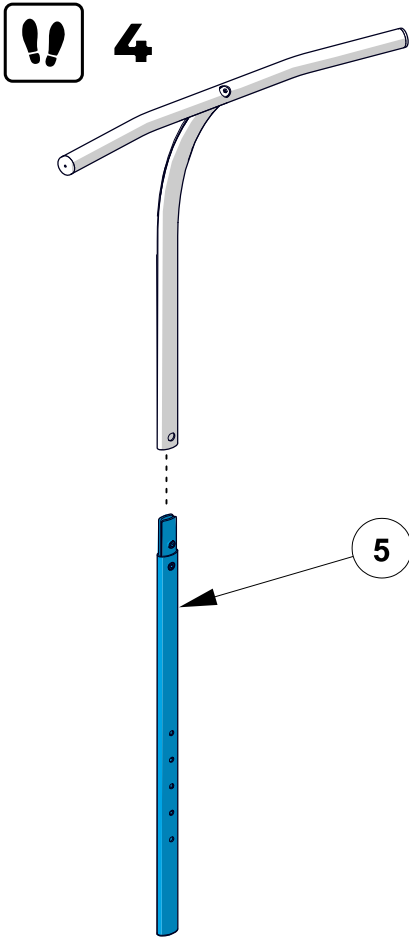


3



1. Connect the tubes by tightening pre-assembled screw into the nut inside the part #2. Make sure that the part #1 are facing the same way as shown.

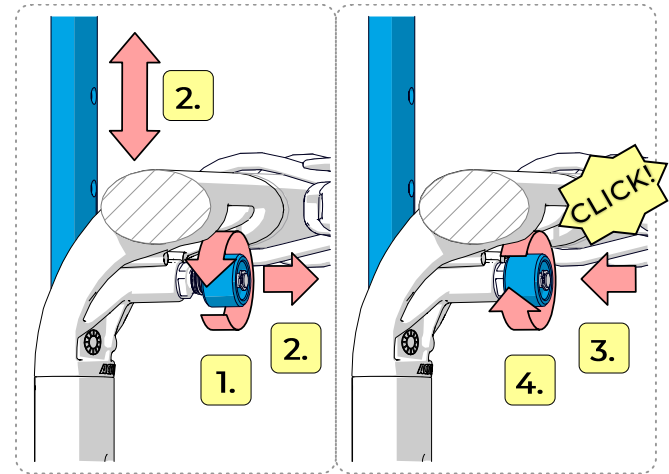
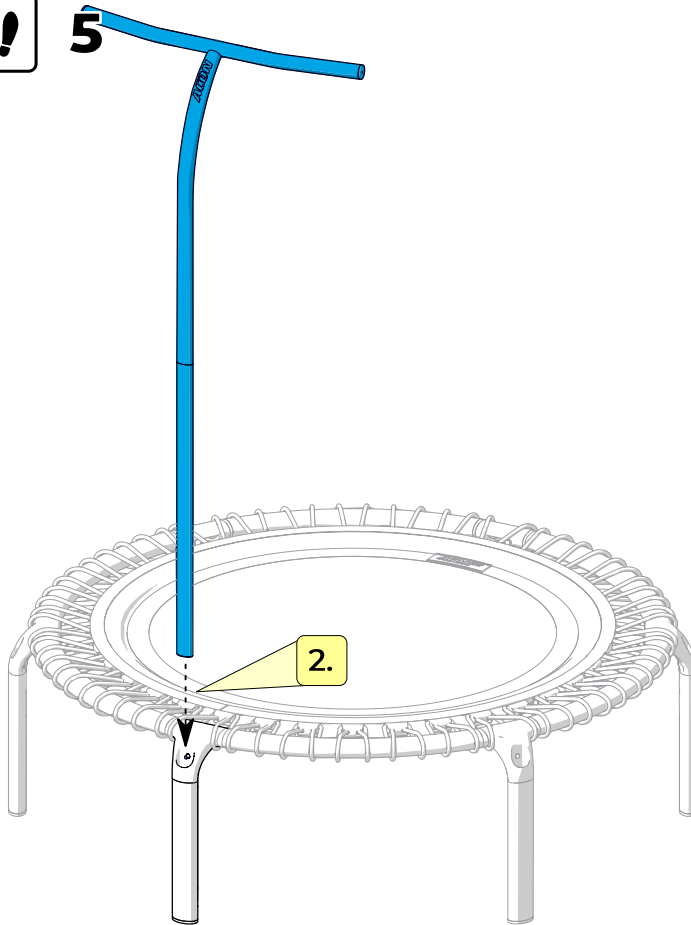
Assembly instructions



1. Unscrew the preassembled screw.
2. Connect the tubes.
3. Install the screw back. Tighten both of the screws properly.



5



1. Unlock the adjuster by rotating the knob counterclockwise.
2. Pull the knob towards the center of the trampoline. Put the handlebar into the leg. Adjust it to desired height.
3. Release the knob. Make sure that the handlebar is secured by trying to rise and lower it (hear the click).
4. Lock the adjuster by tightening it (rotate clockwise). The ACON FIT Handlebar is now ready to use!

CARE AND MAINTENANCE

This product was designed and manufactured with quality materials and craftsmanship. If proper care and maintenance is provided, it will provide all users with years of exercise, fun, and enjoyment as well as reduce the risk of injury. Please follow the guidelines listed below.

This exercise handlebar is designed to aid with balance and provide exercise versatility. Please make sure that only one person at any one time uses the product.

Always inspect the exercise handlebar before each use for worn, abused or missing parts. A number of conditions could arise that may increase your chances of getting injured. Please be aware of:

- ◆ Loose screws, tubes or connections
- ◆ Bent or broken frame parts
- ◆ Protrusions of any types (especially sharp types) on the product

IF YOU FIND ANY OF THE PREVIOUS CONDITIONS, OR ANYTHING ELSE THAT YOU FEEL COULD CAUSE HARM TO ANY USER, THE HANDLEBAR SHOULD BE DISASSEMBLED OR SECURED FROM USE UNTIL THE CONDITION(S) HAS BEEN RESOLVED.

WARRANTY POLICY

Our mission is to inspire people of all ages for physical exercise, sports and outdoor activities. We believe that our high-quality products and great customer service form a great spring-board for it.

The products we sell are warranted against manufacturing defects in materials and workmanship under normal residential use and usage conditions by the original end user/consumer. Warranty period starts from the shipping date, and detailed information about the length of warranty periods for specific products is provided on the product information pages on ACON websites.

Warranty coverage for each components begins from the original date of purchase and lasts as follows:

While the warranty covers manufacturing defects in materials and workmanship, it does not cover damages caused by:

- ◆ Wind, lightning, flooding, natural disasters, or any other weather-related events;
- ◆ Accidental or purposeful burns, cuts, punctures, snags or other vandalism;
- ◆ Abuse, misuse, and improper or abnormal usage;
- ◆ Failure to follow directions, improper installation, improper maintenance, installation or use of incompatible accessories or parts, alteration or attachments to equipment other than ACON's products that are intended for use with the product;
- ◆ Commercial or rental use;
- ◆ Any other cause not arising from defects in material and workmanship.

Information

Normal wear & tear and weathering is to be expected, and as such cosmetic issues such as fading and UV deterioration, surface rust and scratches, and other issues such as normal stretching of materials over time are not manufacturing defects in materials.

In the case of a warranty claim, we will repair or replace damaged part(s) or component(s) which suffered from manufacturing defect. At our request, all damaged or broken parts must be returned to us by customer prior to replacement or repair - with proof of purchase.

ACON IS NOT RESPONSIBLE OR LIABLE FOR INDIRECT, SPECIAL OR CONSEQUENTIAL DAMAGES ARISING OUT OF OR IN CONNECTION WITH THE USE OR PERFORMANCE OF THE PRODUCT OR OTHER DAMAGES WITH RESPECT TO ANY ECONOMIC LOSS, LOSS OF PROPERTY, LOSS OF REVENUE OR PROFITS, LOSS OF ENJOYMENT OR USE, COST OF REMOVAL, INSTALLATION OR OTHER CONSEQUENTIAL DAMAGES, AS ALLOWED IN ACCORDANCE WITH STATE LAWS.

Customer satisfaction is very important to us. Please contact us with any questions you may have regarding the warranty!

ACON ***FIT***



CONTACT US

EUROPE

Email: customercare.eu@acon24.com

acon24.com

USA

Email: customercare.us@acon24.com

Tel: +1 (866) 297 5234

us.acon24.com

SWEDEN

Email: kundtjanst@acon24.se

Tel: +46 (08) 12013113

www.acon24.se

FINLAND

Email: acon@acon.fi

Tel: +358 (0)9 42720823

acon.fi